

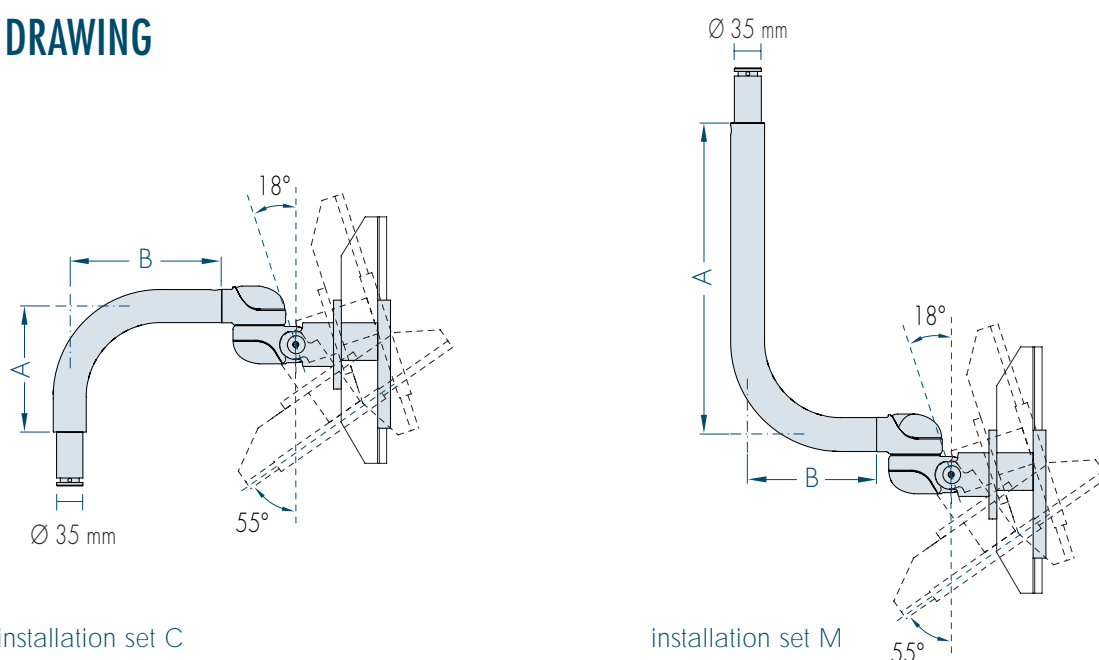
STANDARD SUPPLY

Standard supply comprises: arm, handle complete of Vesa mounting plate and PC panel cable kit (network and power). Pole mounts, hangers, clamps and accessories to be ordered separately (see pg. 20 - 21- 22).

CUSTOMIZATION

- Load capacity:** specific load capacity different to the standard 6.5 kg available upon request.
Cables: customized supply available upon request.
Colour: customized RAL colouring available upon request.

TECHNICAL DRAWING



CONFIGURATIONS

Code	Description
FMPPC	Fixed PC panel mount

Code	Dimensions	
	A	B
1620	167 mm	200 mm
1640	167 mm	400 mm
1660	167 mm	600 mm
2016	200 mm	167 mm
4016	400 mm	167 mm

Code	Installation set
C	Down bend pipe
M	Up bend pipe

Code	Colour
9002	RAL 9002
9003	RAL 9003
9010	RAL 9010
RAL	Customized

FMPPC + 1620 + C + 9003 = FMPPC1620C9003



HOW TO ORDER

Specify the requested configuration by adding the single codes. **FMPPC1620C9003** is the article to order a fixed arm with pc panel mount arrangement (FMPPC) - dimensions 167x200 mm (1620) - down bend pipe (C) - white 9003 RAL colour (9003).